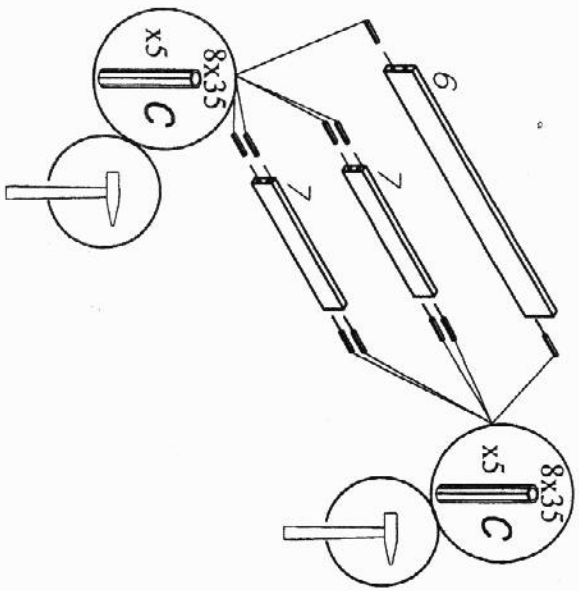


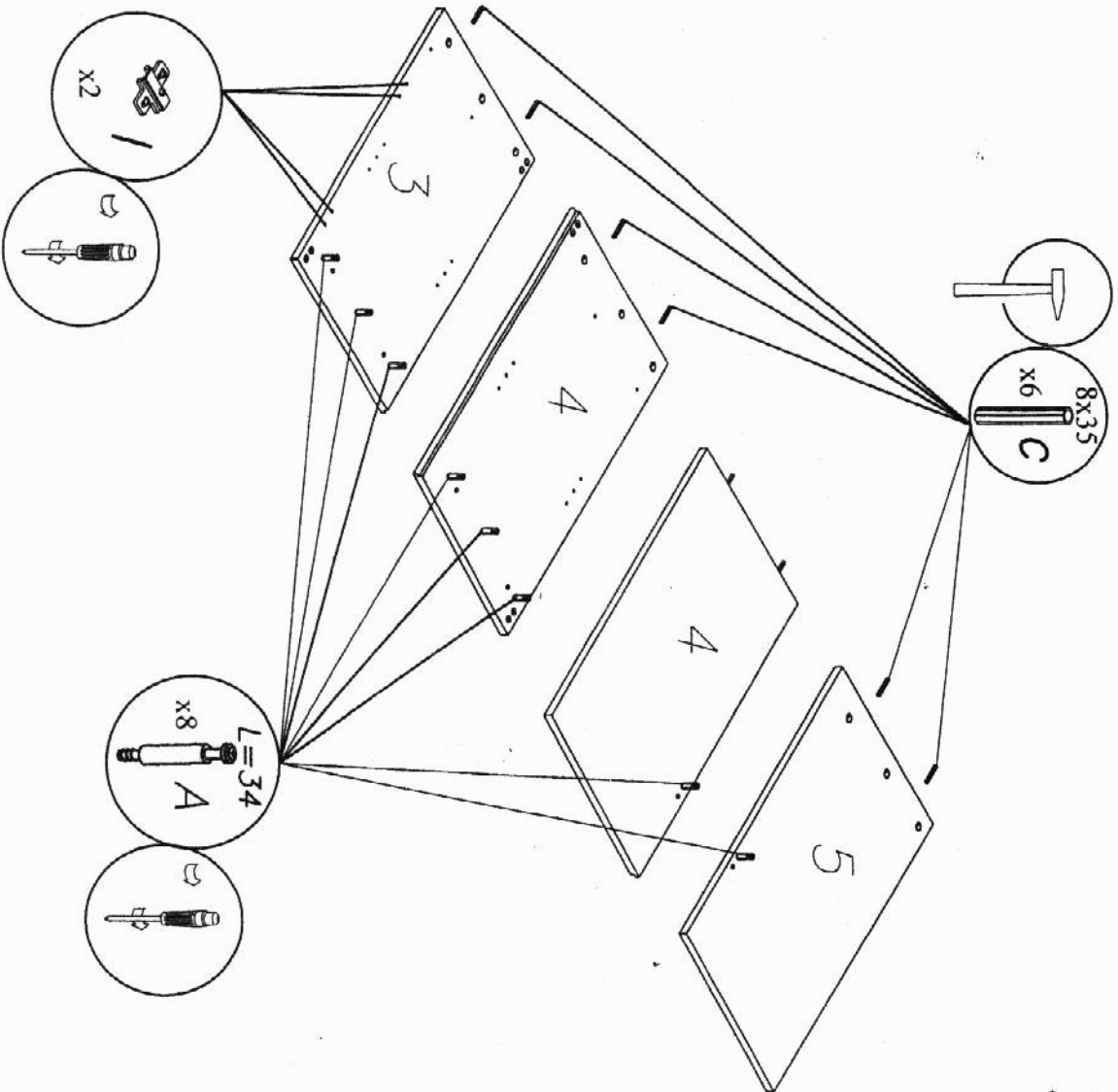
V	Q	X
∅5x30	∅12x10	4x35
x 2	x 2	x 2

A	B	C	D	E	F	G	H	I	L	P	R
L=34	∅15x12	∅8x35		3.5x15	3.5x35	1.2x20	∅26		M4x9	5.8x11	L=430/17
x 19	x 17	x 20	x 4	x 4	x 4	x 25	x 2	x 2	x 2	x 4	x 2

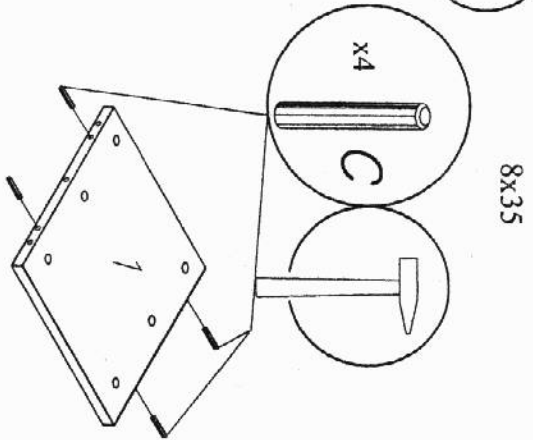
1



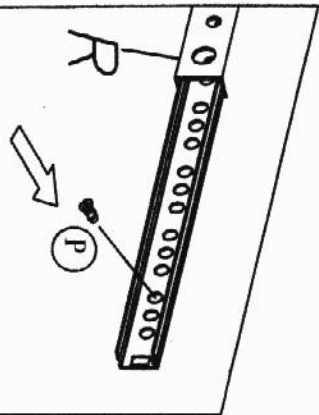
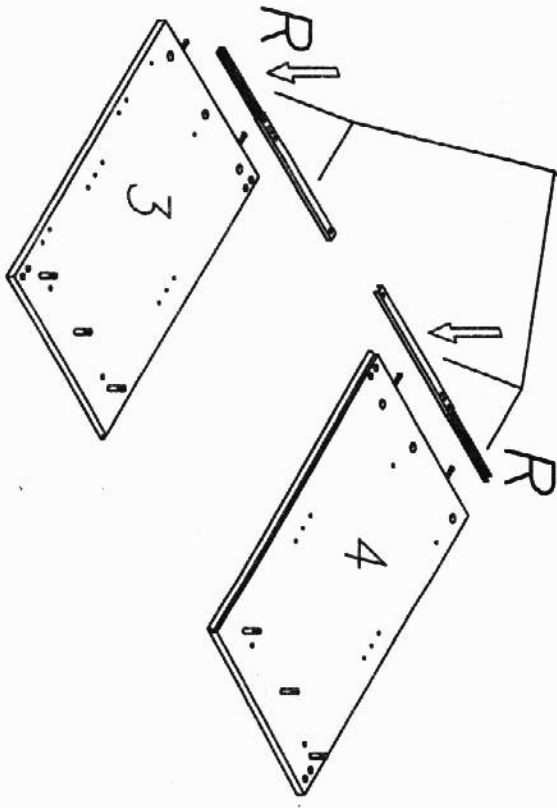
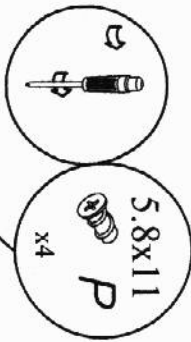
2



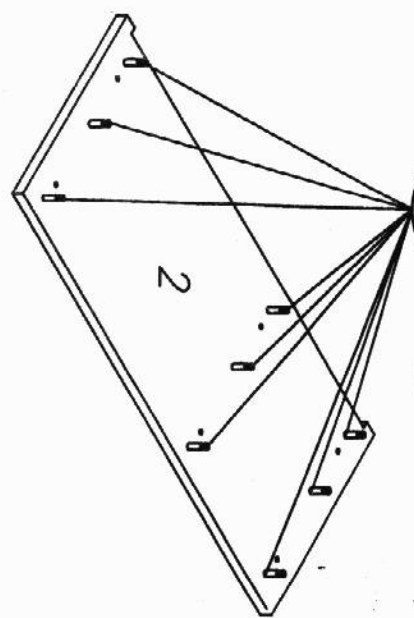
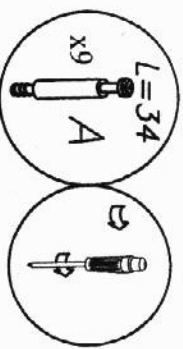
3



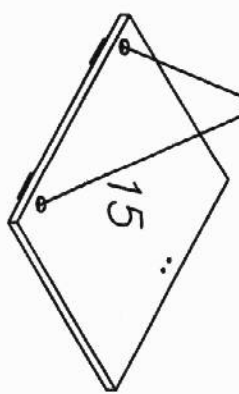
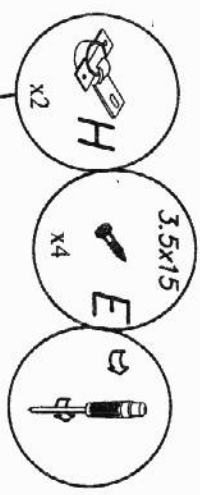
4



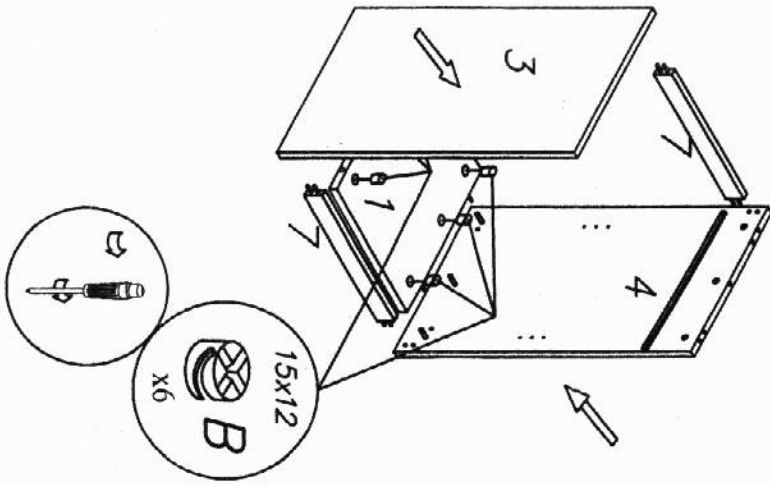
5



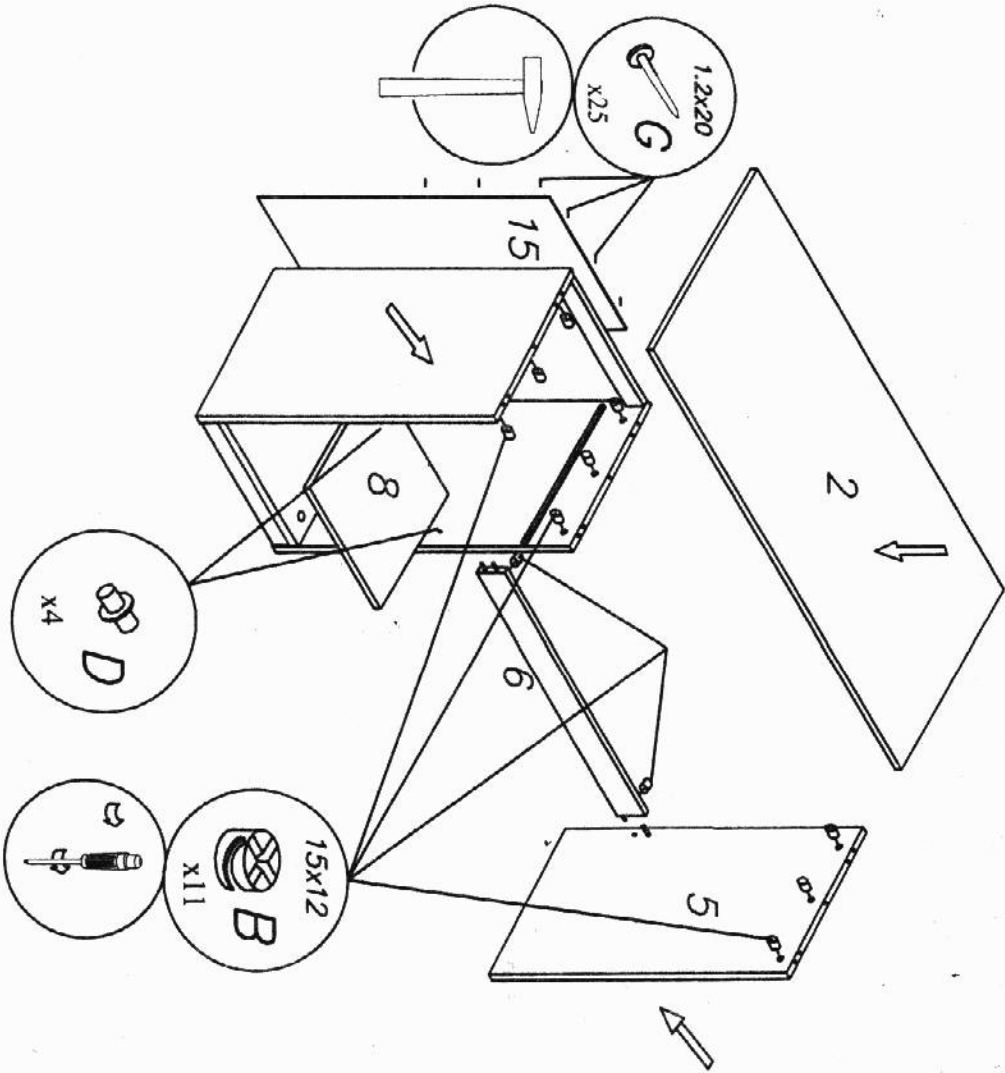
6



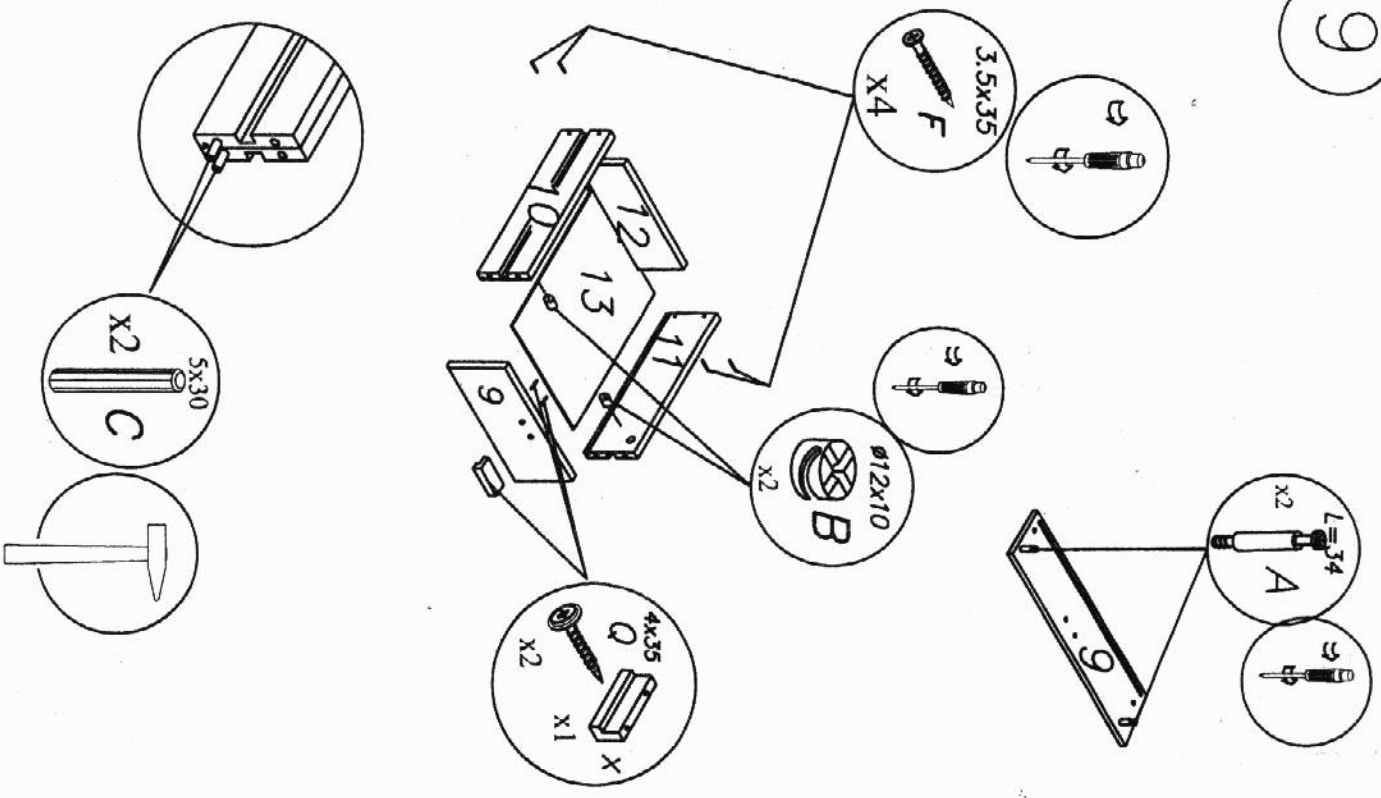
7



8



9



10

