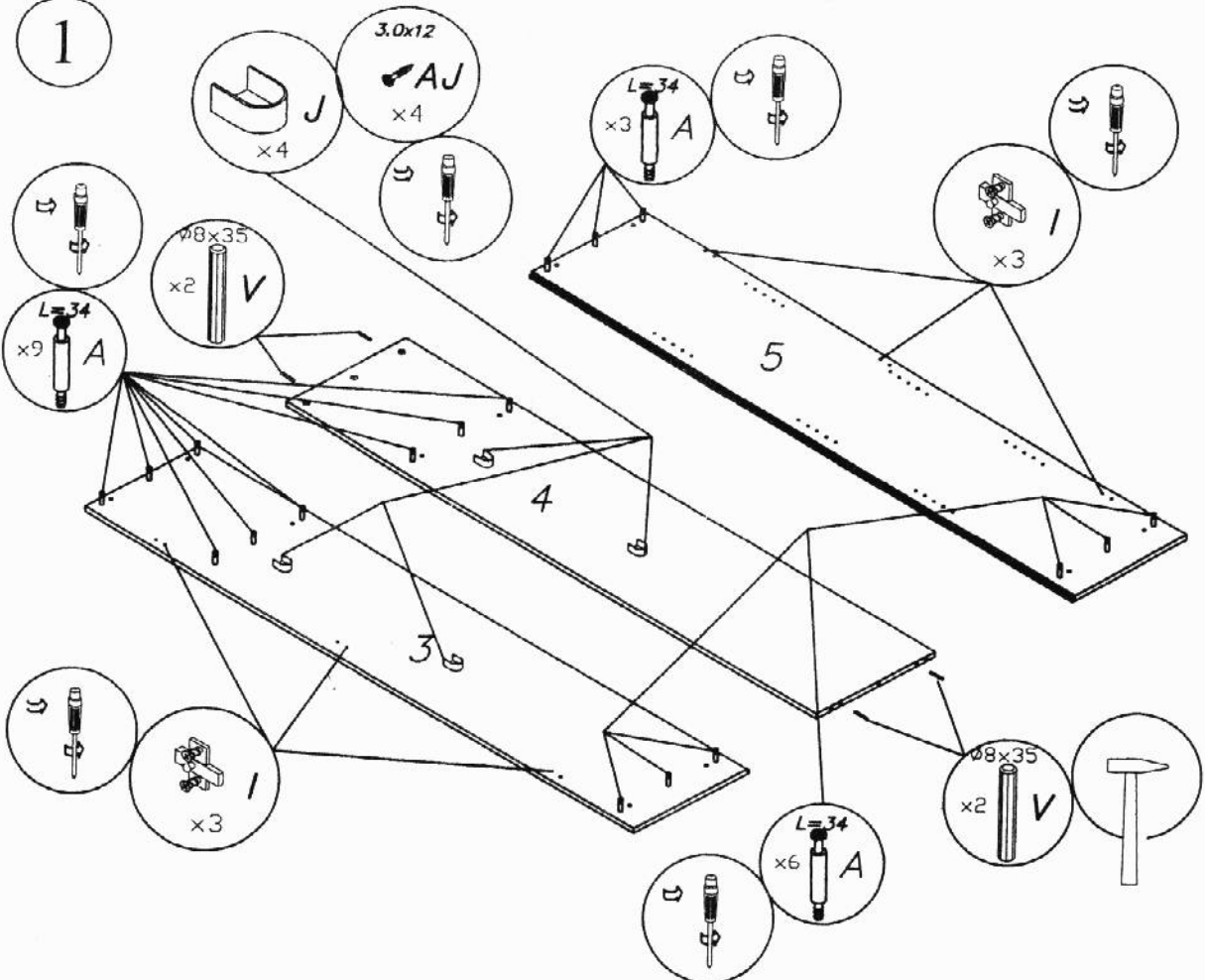
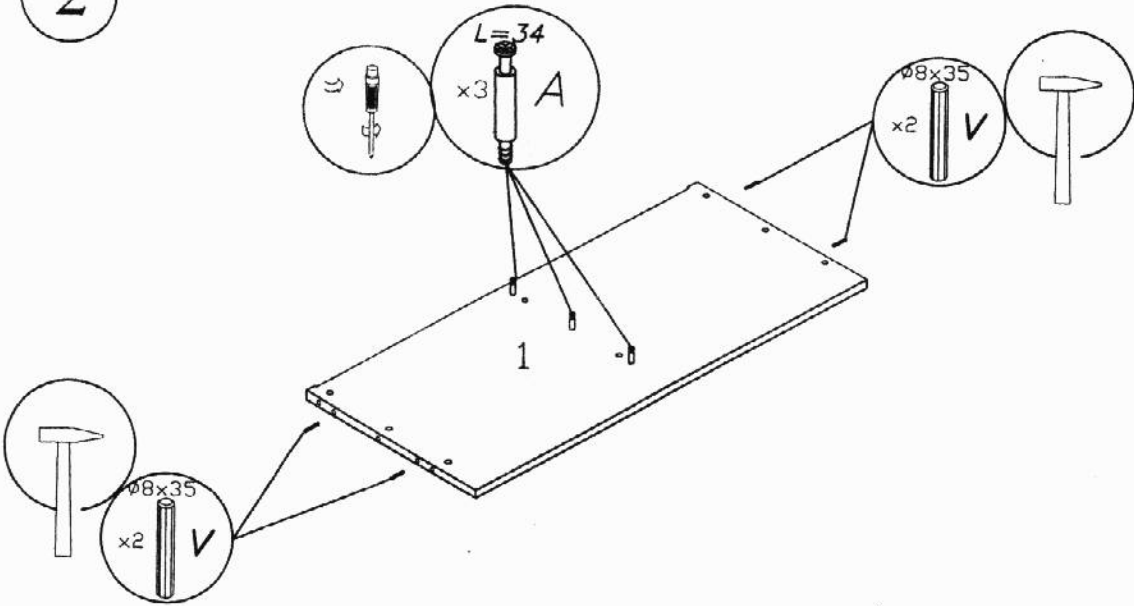


A	B	C	D	E	AJ	G	H	I	X	J	Q
=34	∅15x12	∅8x35		3.5x15	3.0x12	1.2x20	∅26				4.0x35
x 24	x 24	x 20	x 12	x 12	x 4	x 80	x 6	x 6	x 2	x 4	x 4

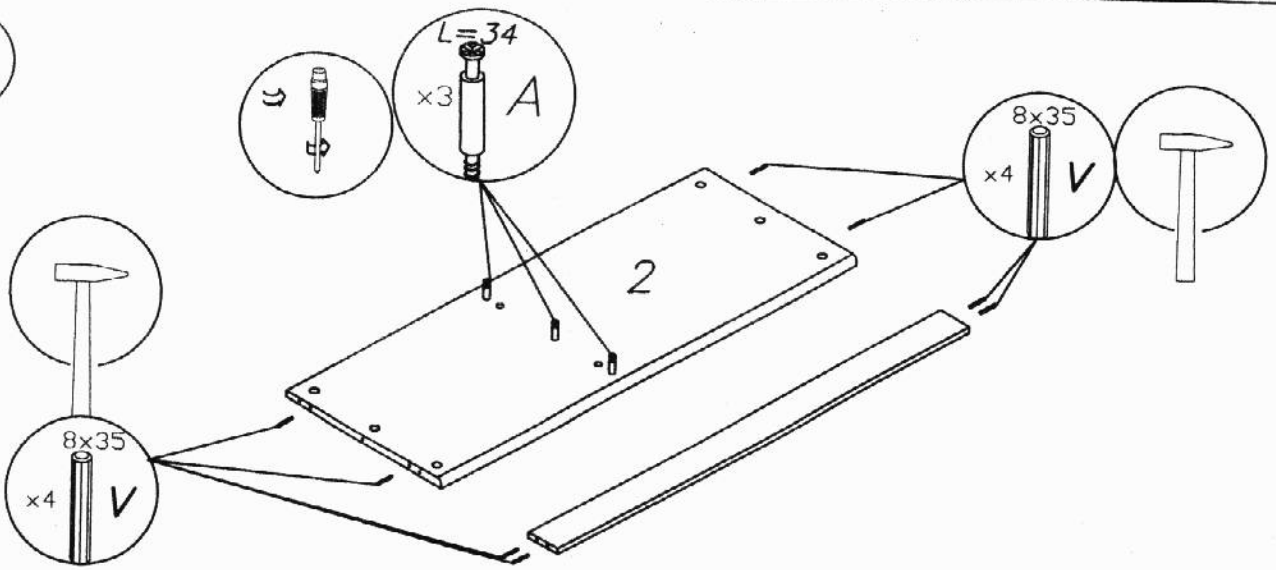
1



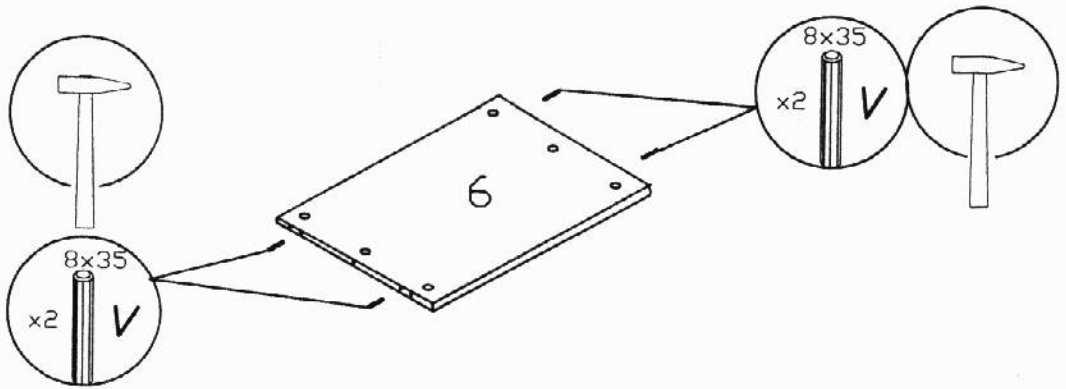
2



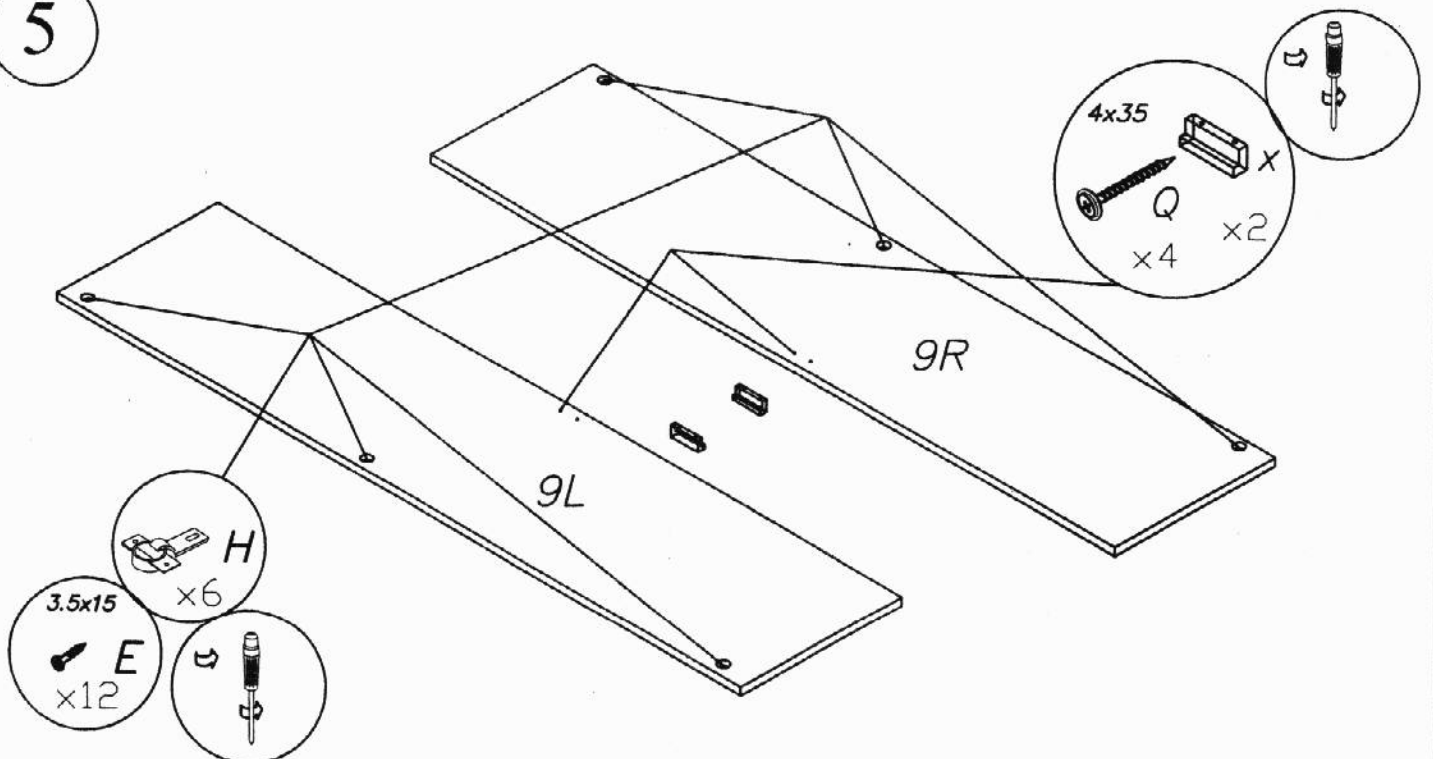
3



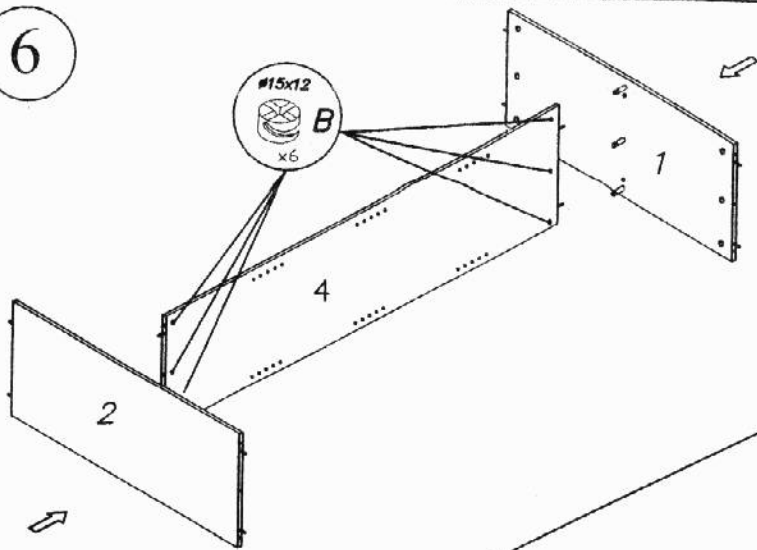
4



5



6

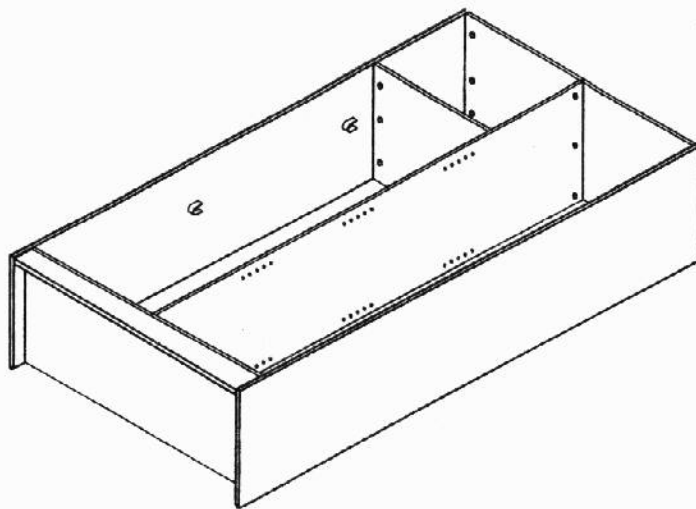


#15x12
B
x6

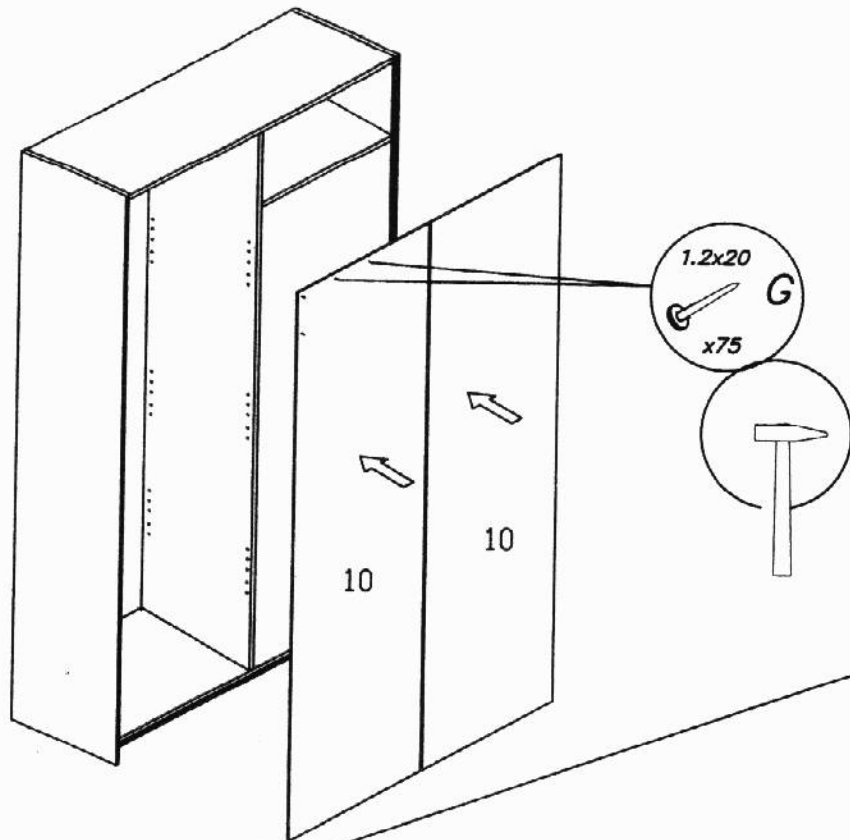


#15x12
B
x12

7



8



9

