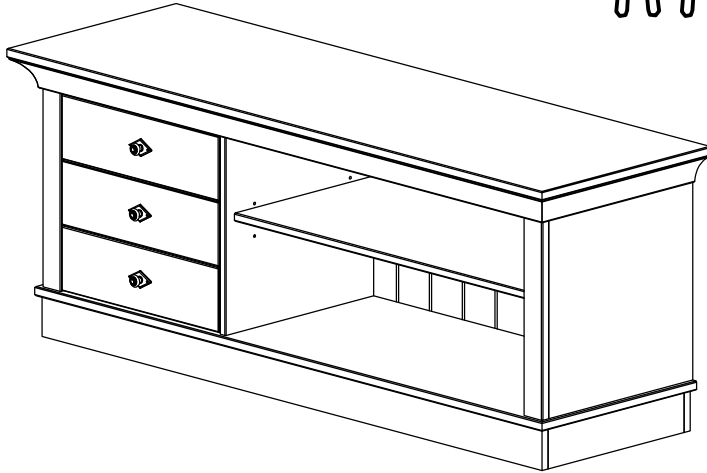
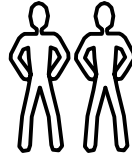
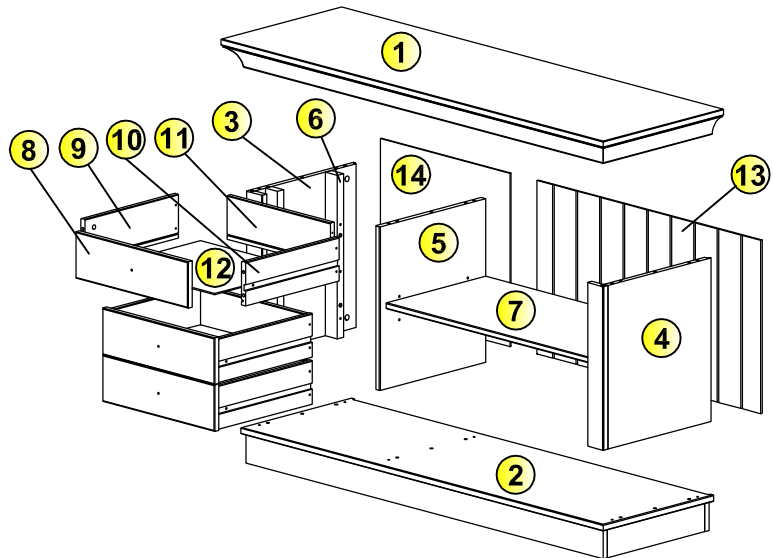


Art.Nr: 705-X (143 X 56 X 45)

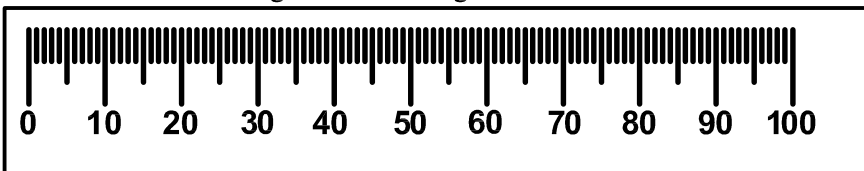


AE	Ø8x30	x24	RT	Ø25x23	x 3
CG	Ø3.5x35 zinc	x12	RG	GRIF PART	x 3
IC	Ø5.8x11 zinc	x 12	EI	M4x35 zinc	x 3
UB	Drawer 310	x6	MI	Ø15H 12	x12
NI	Shelf support	x 4	MH	Ø12H10.5	x6
MB	Connecting bolt H34	x18	ED	M4x11 zinc	x6
DK	Ø4x55 zinc	x 4	AS	Nail Ø1,2x20	x50

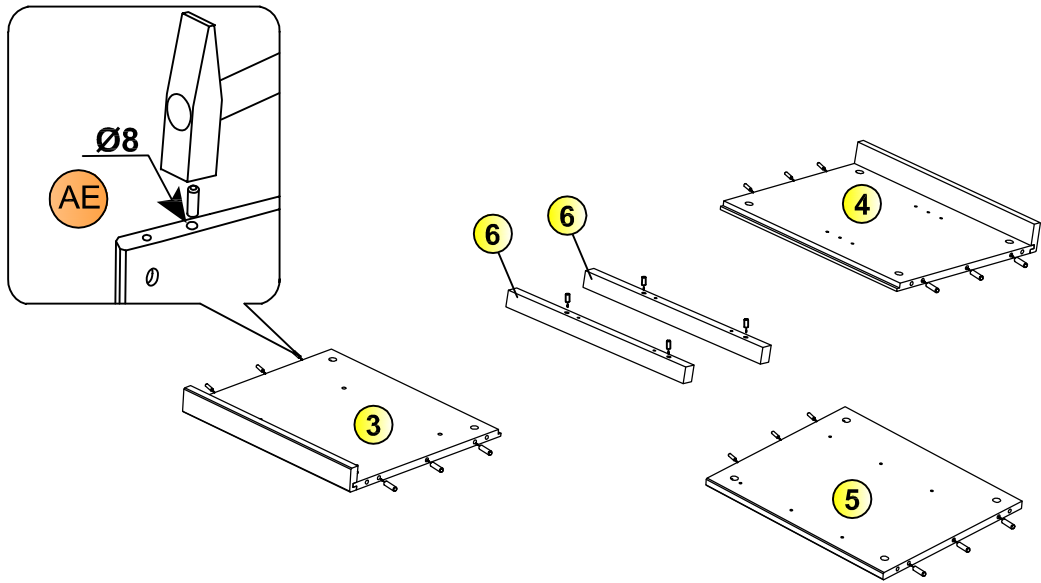
Teile nr.	Anzahl	Maß(mm)
1	1	1430x450x78
2	1	1356x313x98
3	1	449x403x60
4	1	449x403x60
5	1	449x396x16
6	2	449x44x24
7	1	818x373x16
8	3	420x127x18
9	3	350x120x15
10	3	350x120x15
11	3	386x120x15
12	3	396x344x3
13	1	837x476x6
14	1	485x476x3



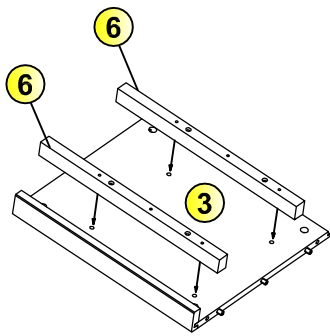
Dear customer.
 Here You have possibility of measuring the supplied screws.
 Geehrter Kunde.
 Hier haben Sie die Möglichkeit die mitgelieferten Schrauben nachzumessen.



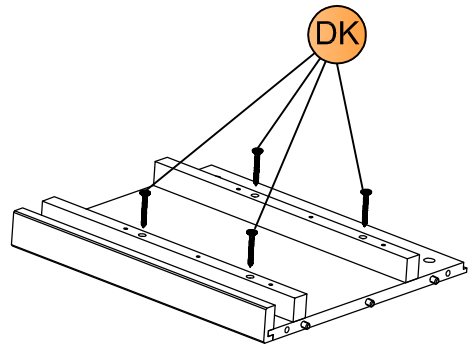
1



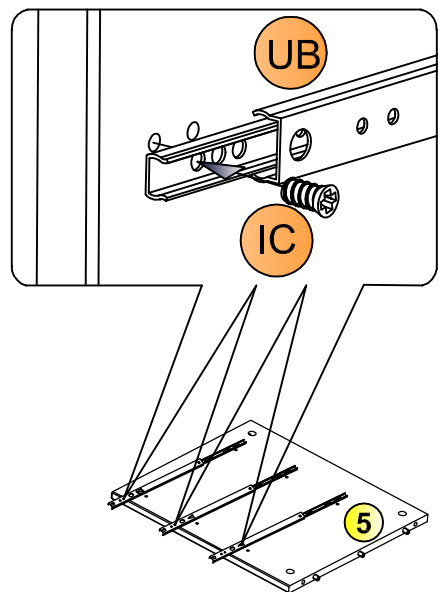
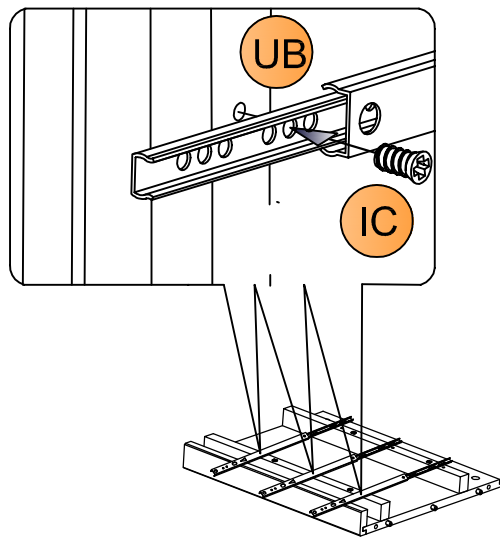
2



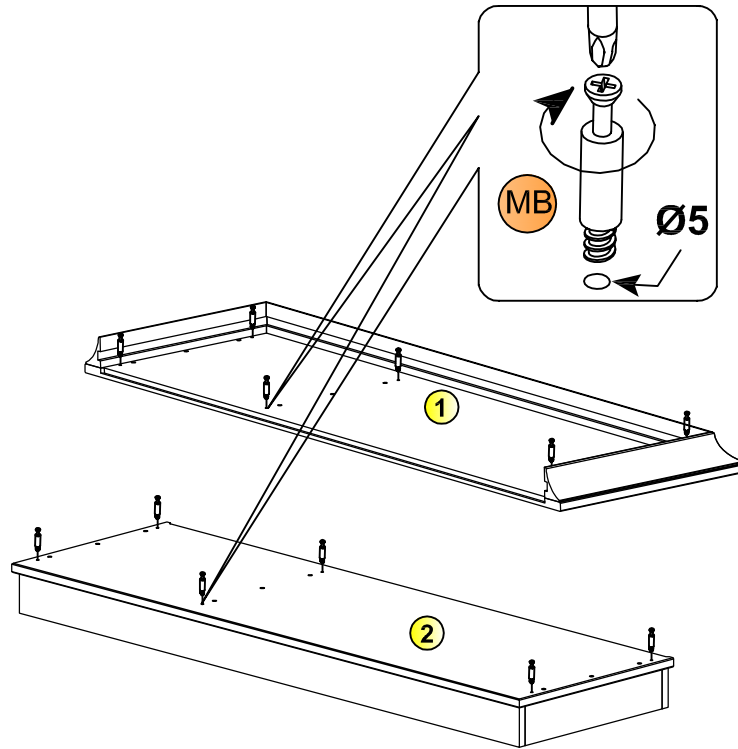
3



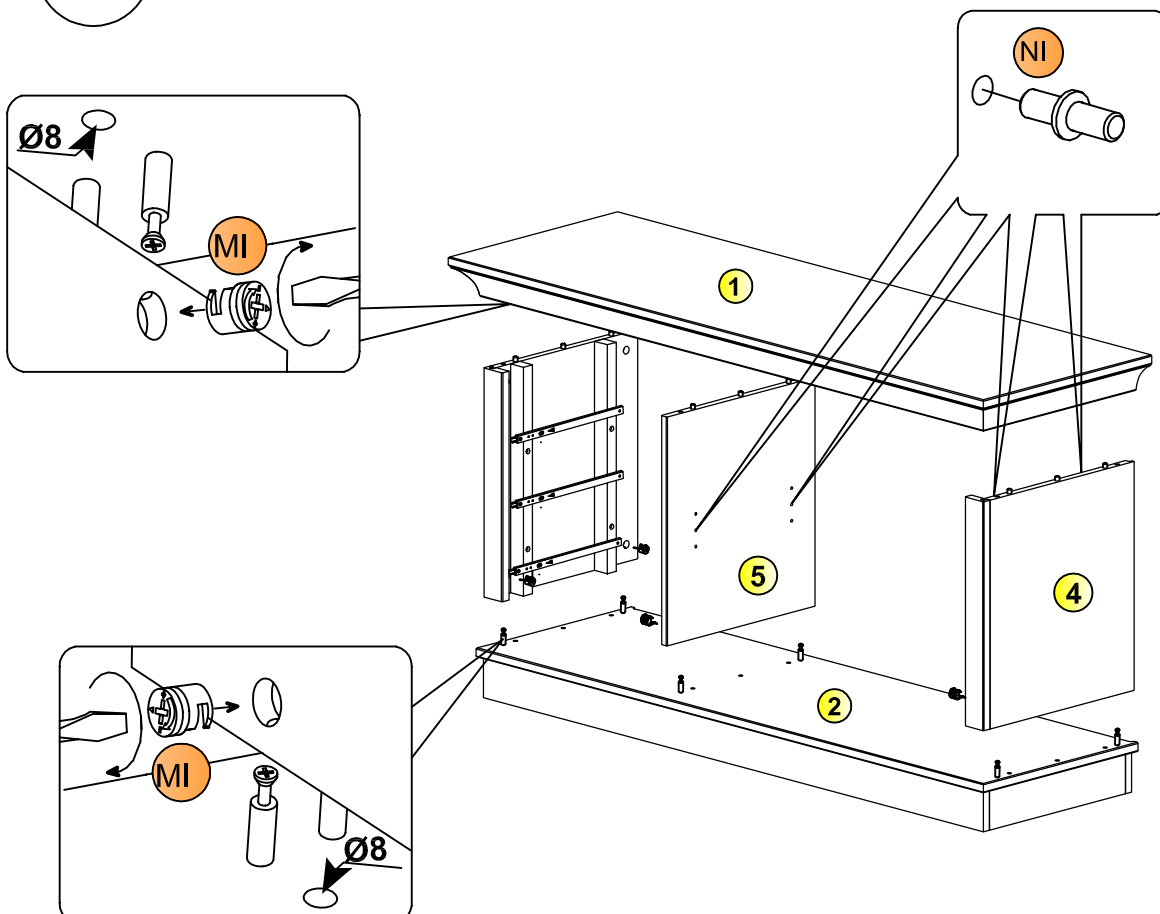
4



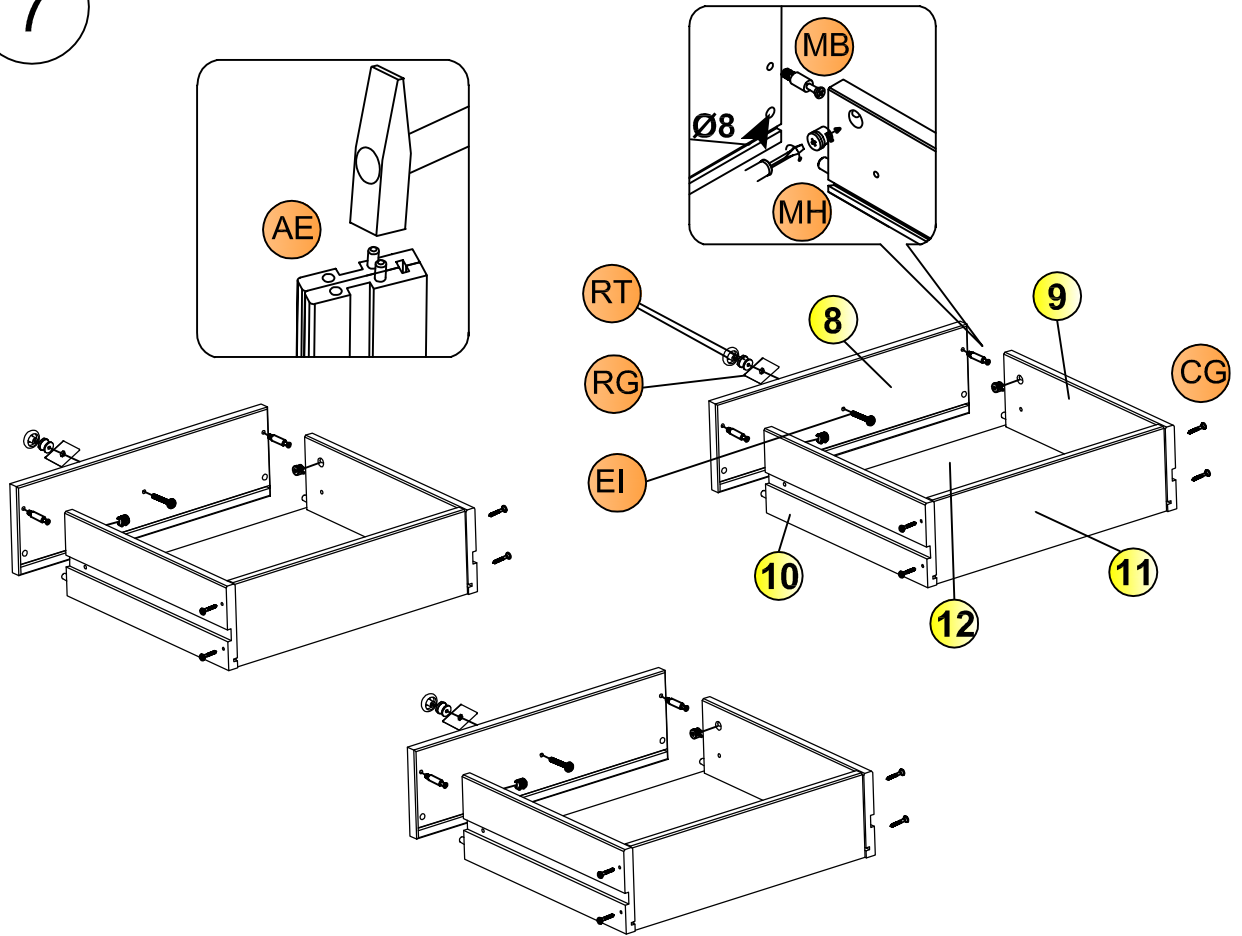
5



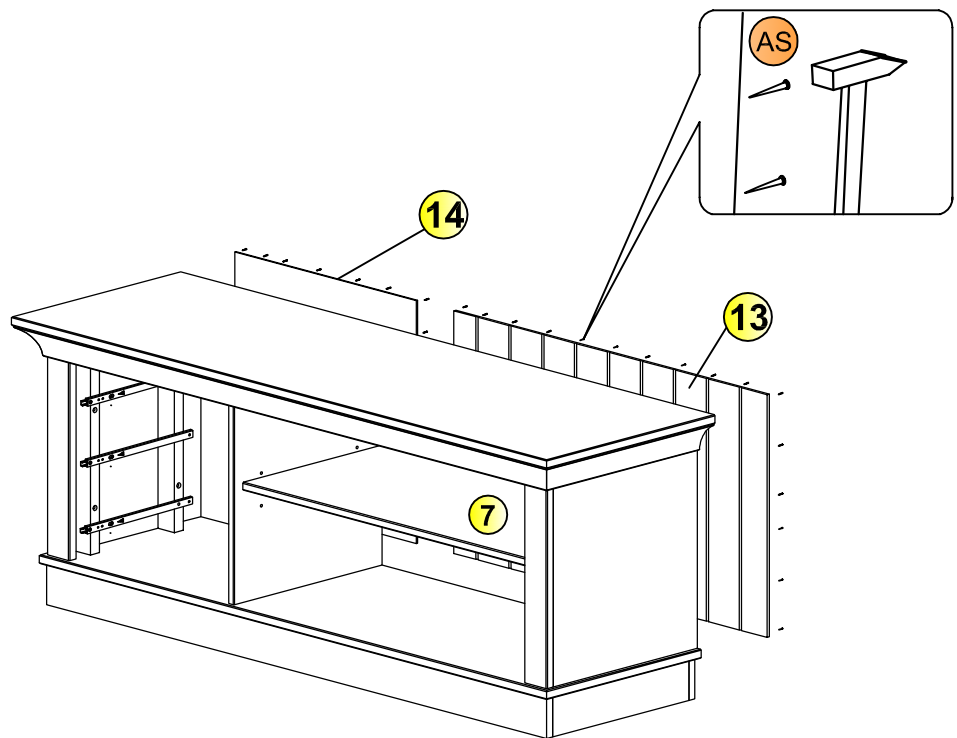
6



7



8



9

