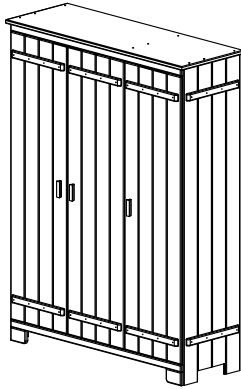
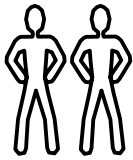
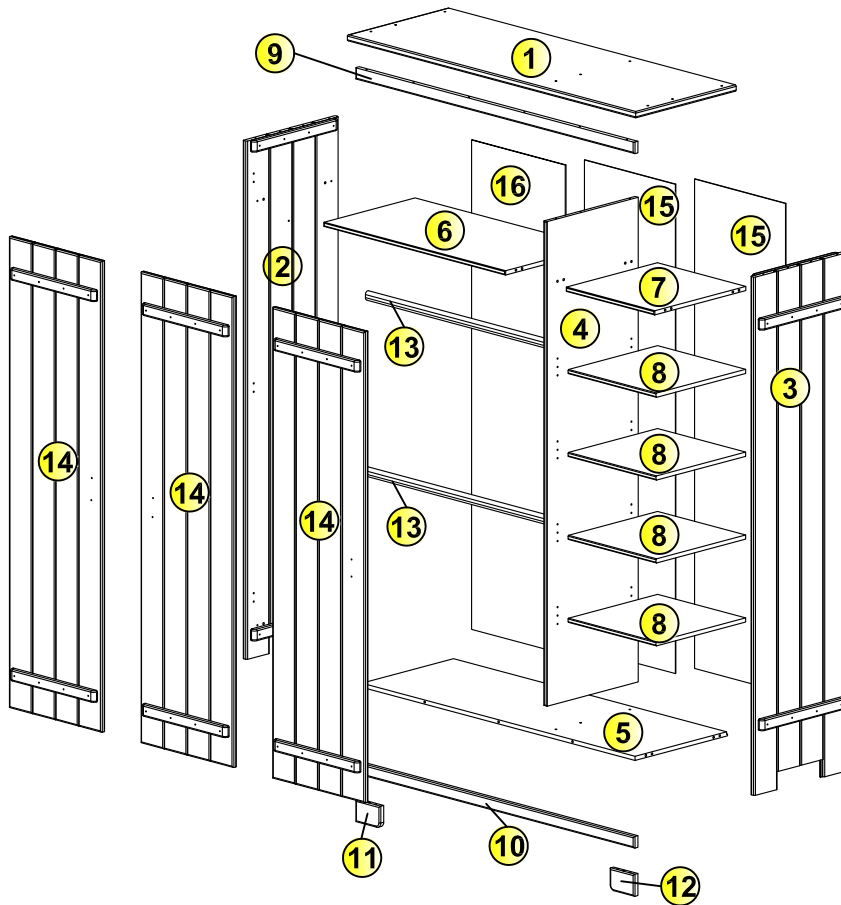


Art.Nr: 6002 (200 X 150 X 53)



| | | | | | | | | |
|----|-----------------|-----|----|---------|------|----|-------|------|
| VA | | x 1 | LR | | x 1 | AE | | x 15 |
| | L-215mm | | | | | | Ø8x30 | |
| FK | | x 6 | LV | | x 6 | OC | | x 6 |
| | Ø4.0x60 | | | Ø6.3x70 | | | Ø7x50 | |
| NV | | x 6 | DR | | x 6 | NI | | x 16 |
| | Ø4,5 21x21x2 | | | Ø4x35 | | | | |
| NK | | x 4 | MI | | x 14 | TB | | x 9 |
| | | | | Ø15H 12 | | | | |
| SB | | x 3 | CB | | x 34 | MB | | x 10 |
| | | | | Ø4x16 | | | H34 | |
| VB | | x 1 | MD | | x 2 | RS | | x 3 |
| | L-1540mm | | | 34/16 | | | Ø8x50 | x 2 |



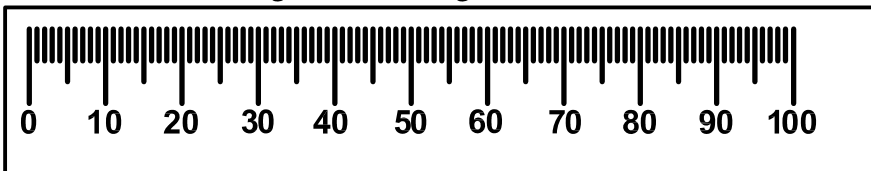
| | | |
|----|---|-------------|
| 1 | 1 | 1498x522x24 |
| 2 | 1 | 1976x480x20 |
| 3 | 1 | 1976x480x20 |
| 4 | 1 | 1848x475x16 |
| 5 | 1 | 1418x480x16 |
| 6 | 1 | 943x475x16 |
| 7 | 1 | 457x459x16 |
| 8 | 4 | 465x457x16 |
| 9 | 1 | 1448x44x20 |
| 10 | 1 | 1448x44x20 |
| 11 | 1 | 127x84x20 |
| 12 | 1 | 127x84x20 |
| 13 | 2 | 933x36x24 |
| 14 | 3 | 1796x480x40 |
| 15 | 2 | 1866x472x3 |
| 16 | 1 | 1866x486x3 |

Dear customer.

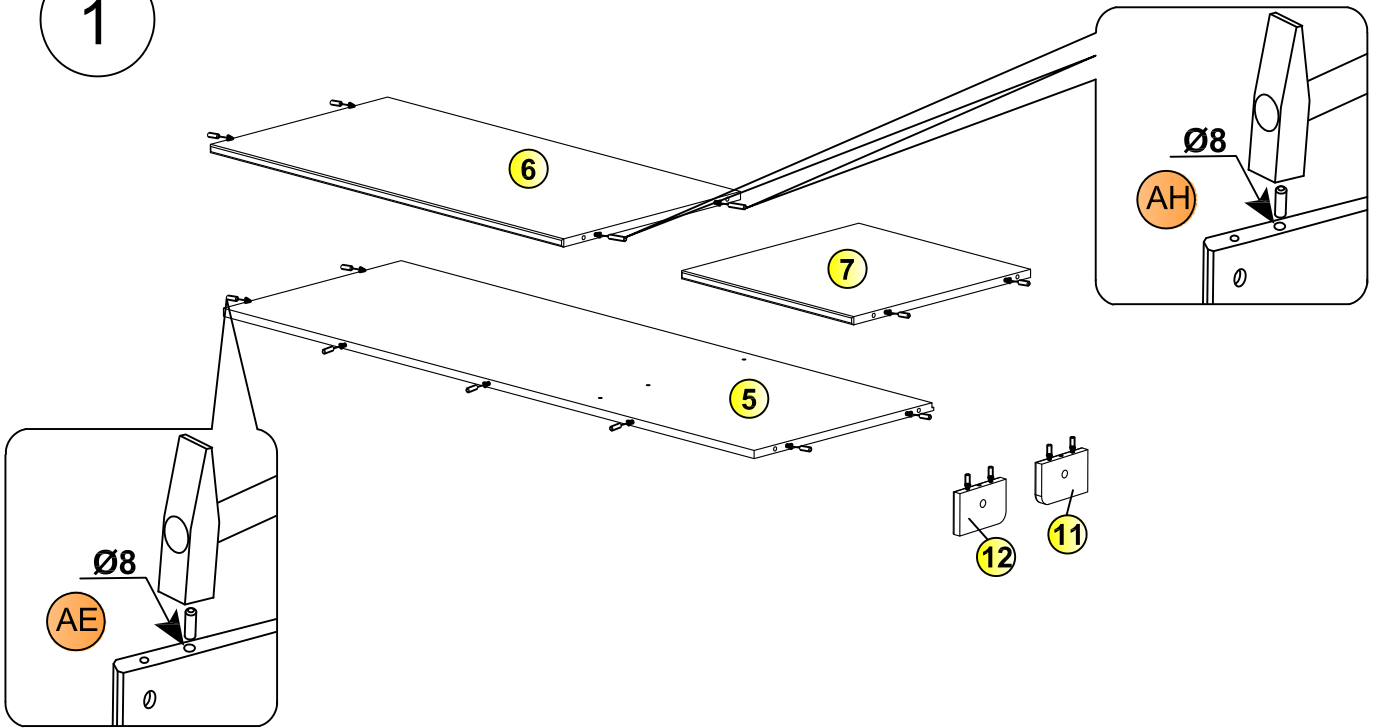
Here You have possibility of measuring the supplied screws.

Geehrter Kunde.

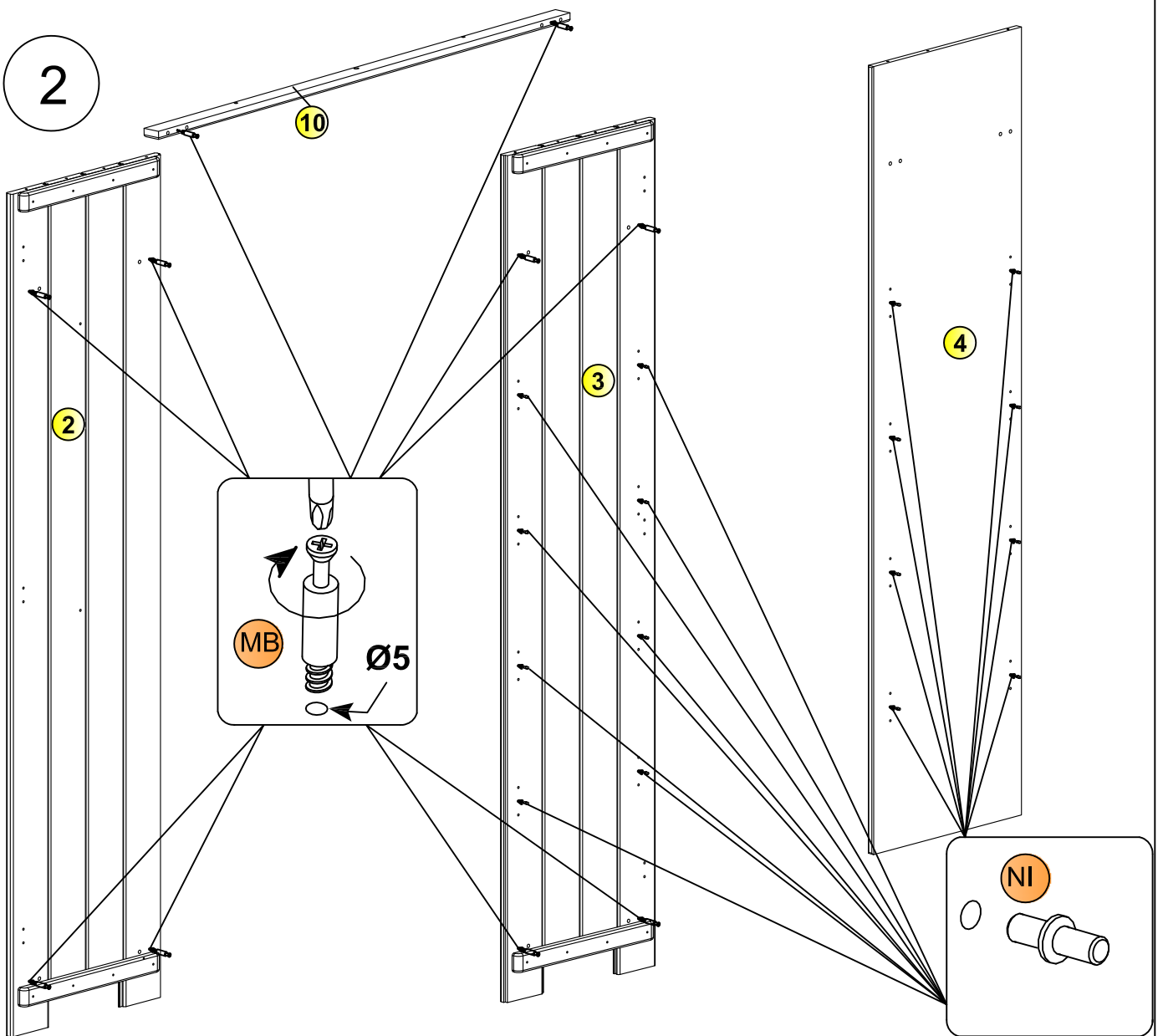
Hier haben Sie die Möglichkeit die mitgelieferten Schrauben nachzumessen.



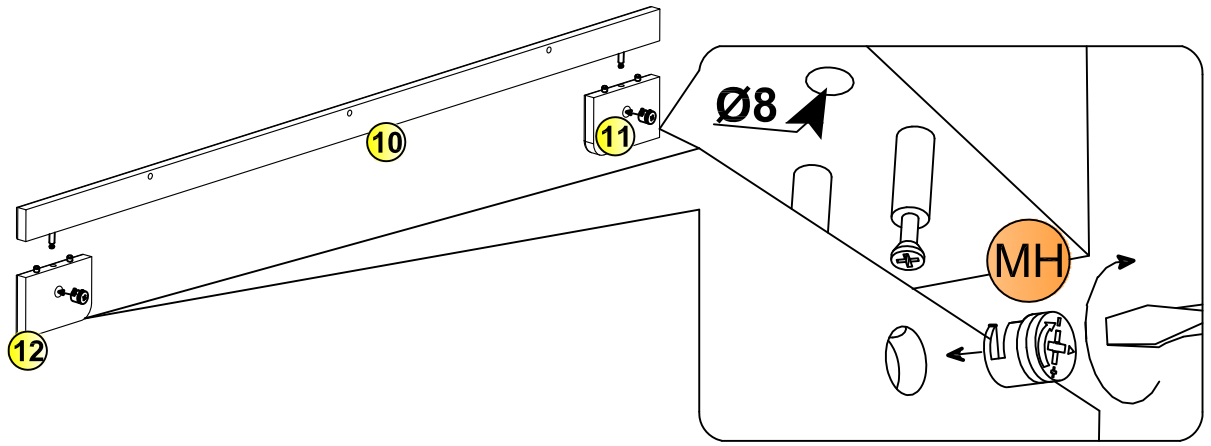
1



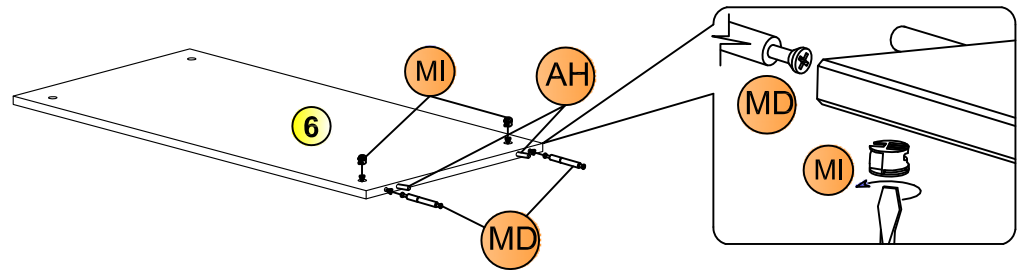
2



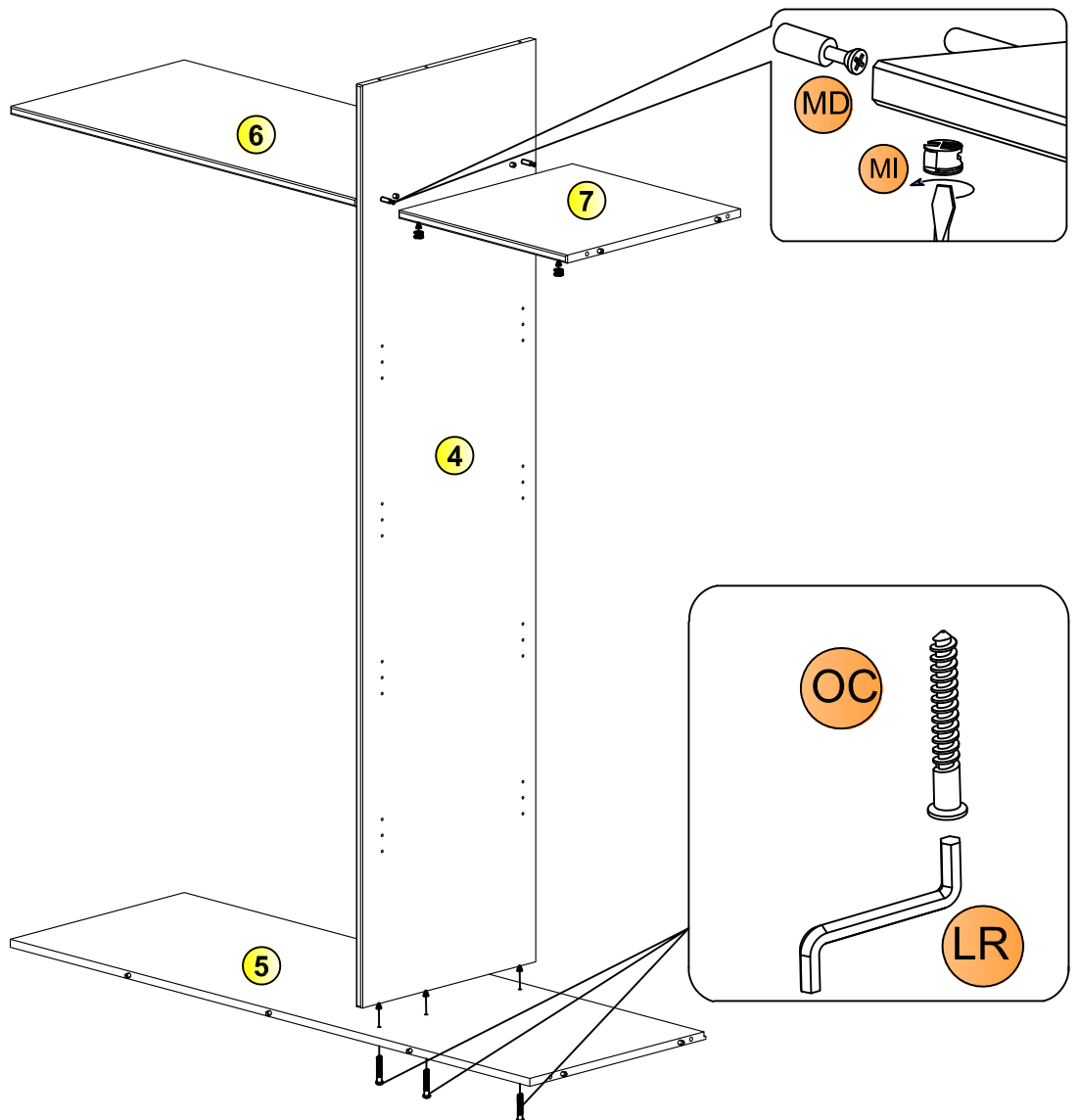
3



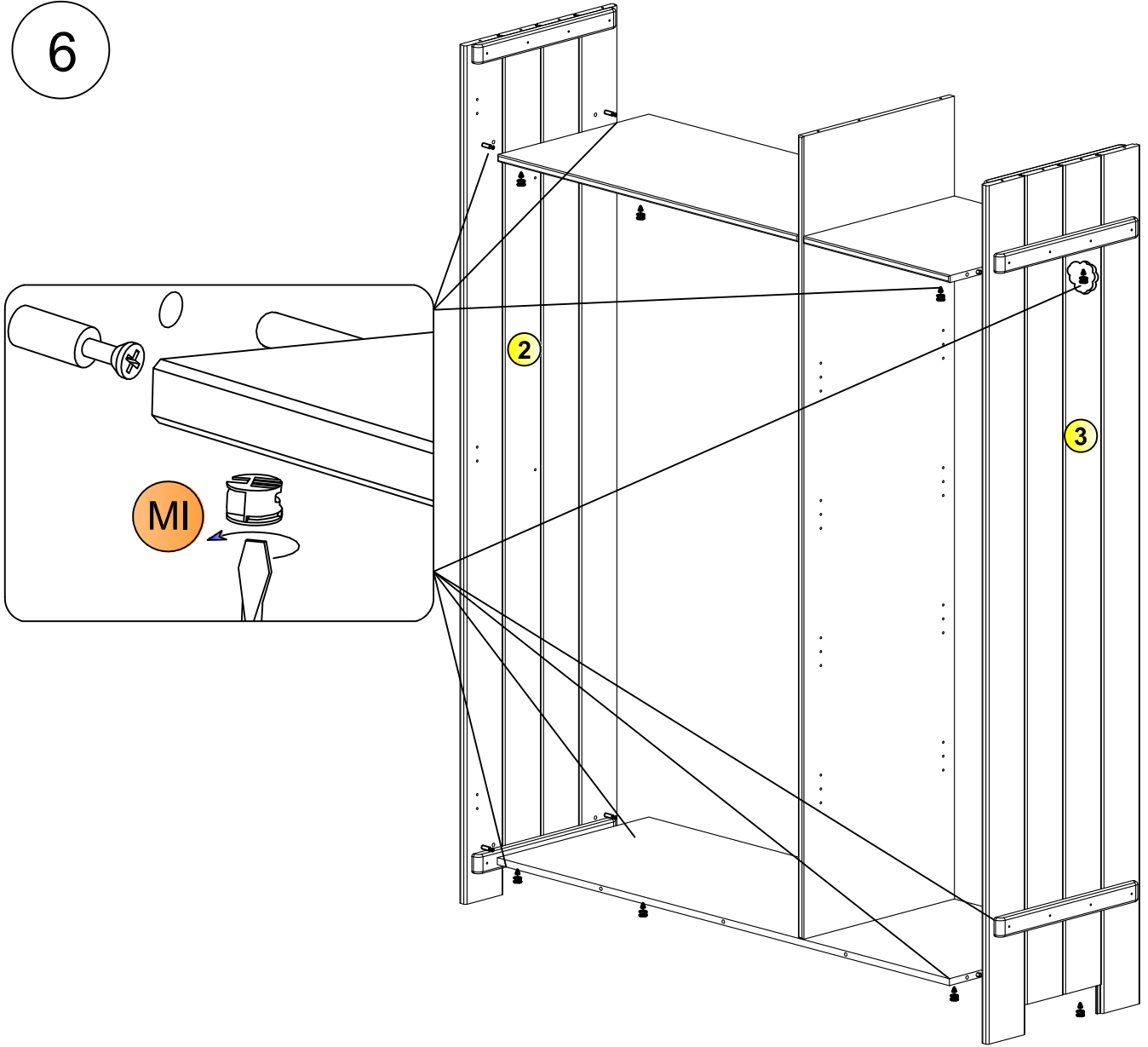
4



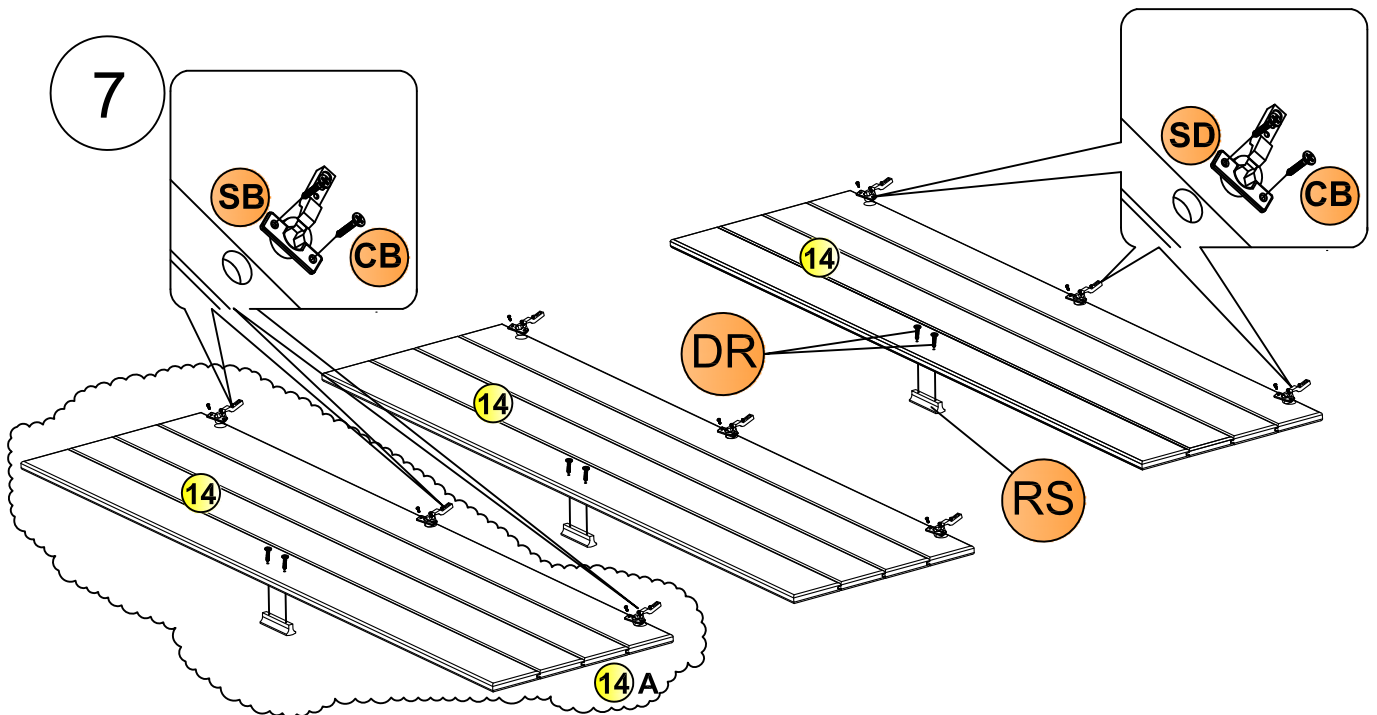
5

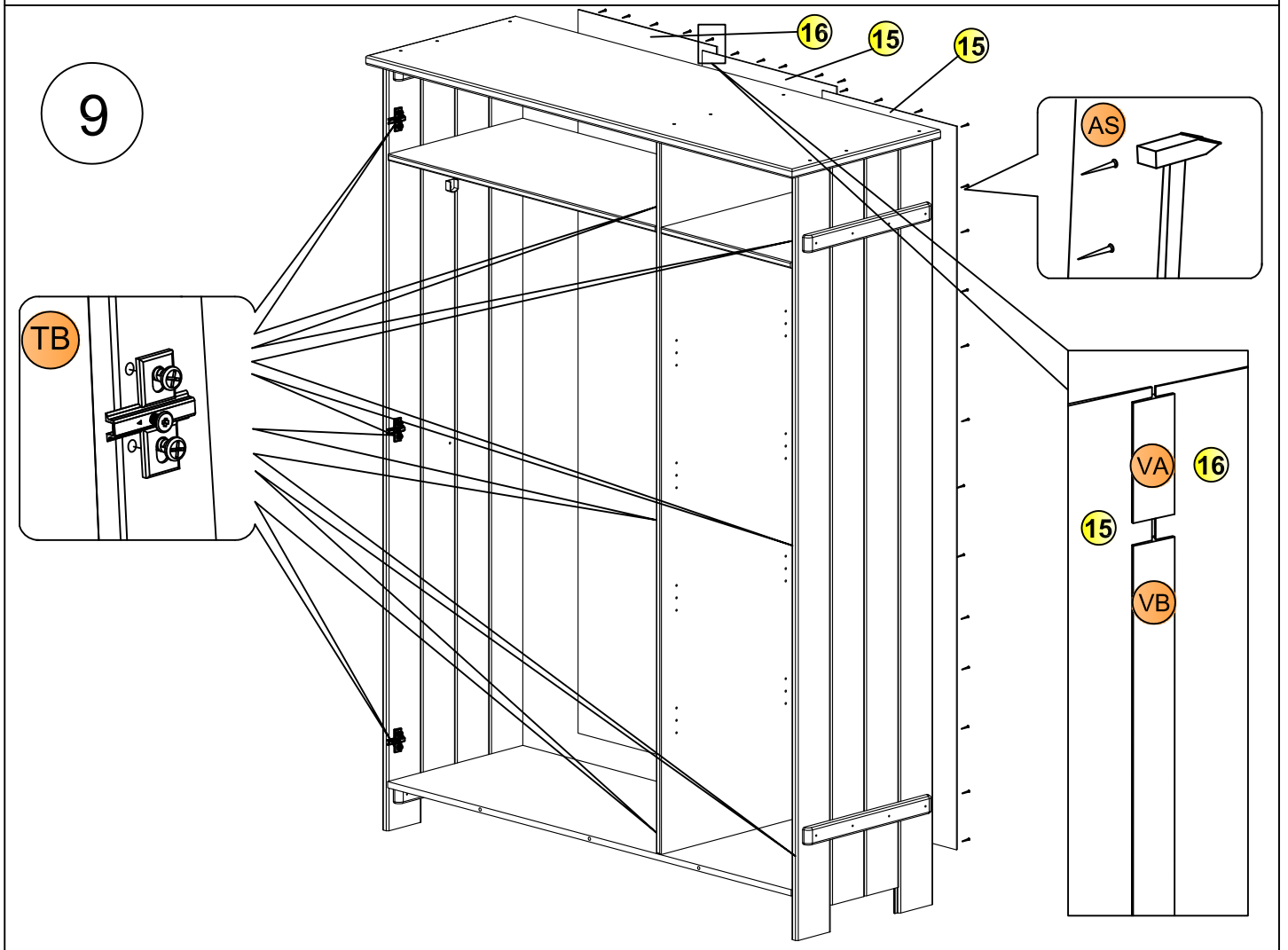
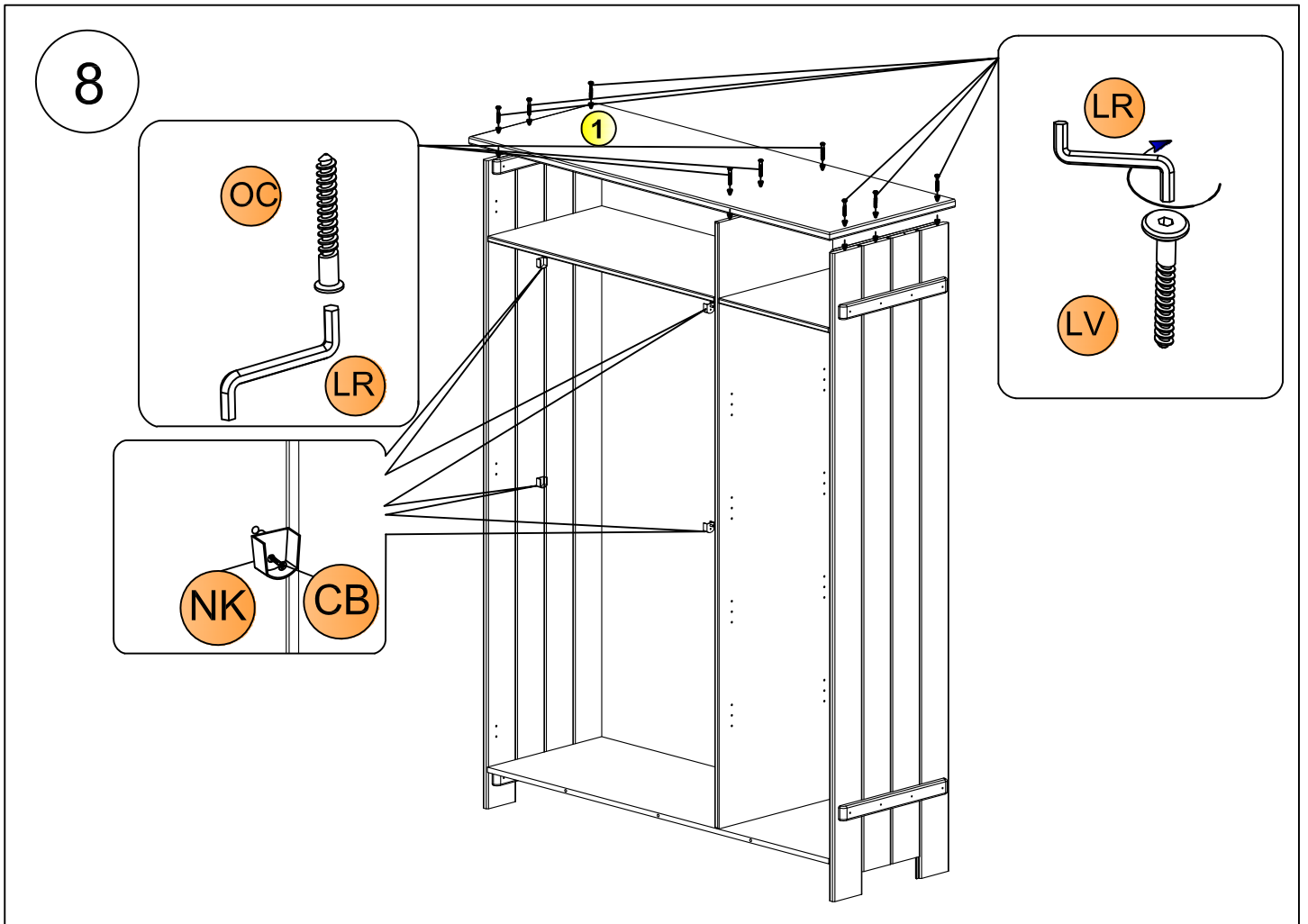


6

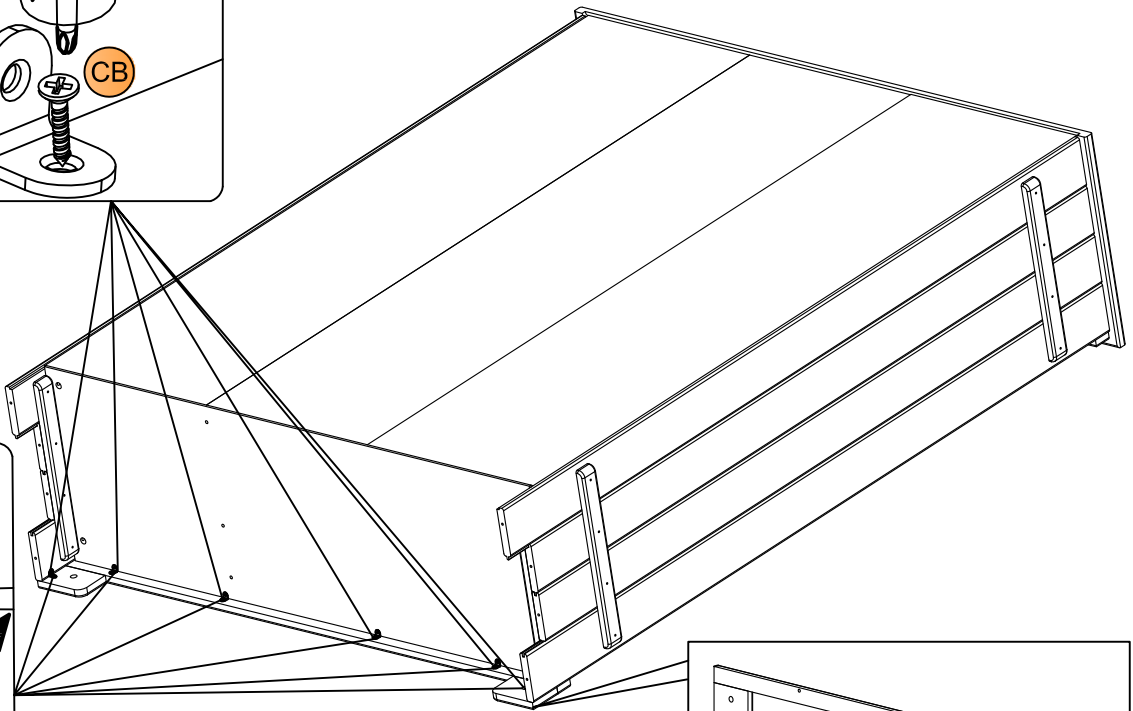
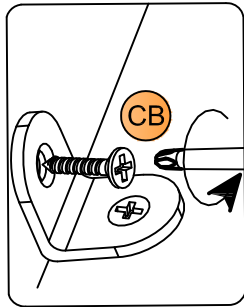
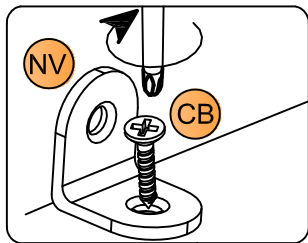


7





10



11

